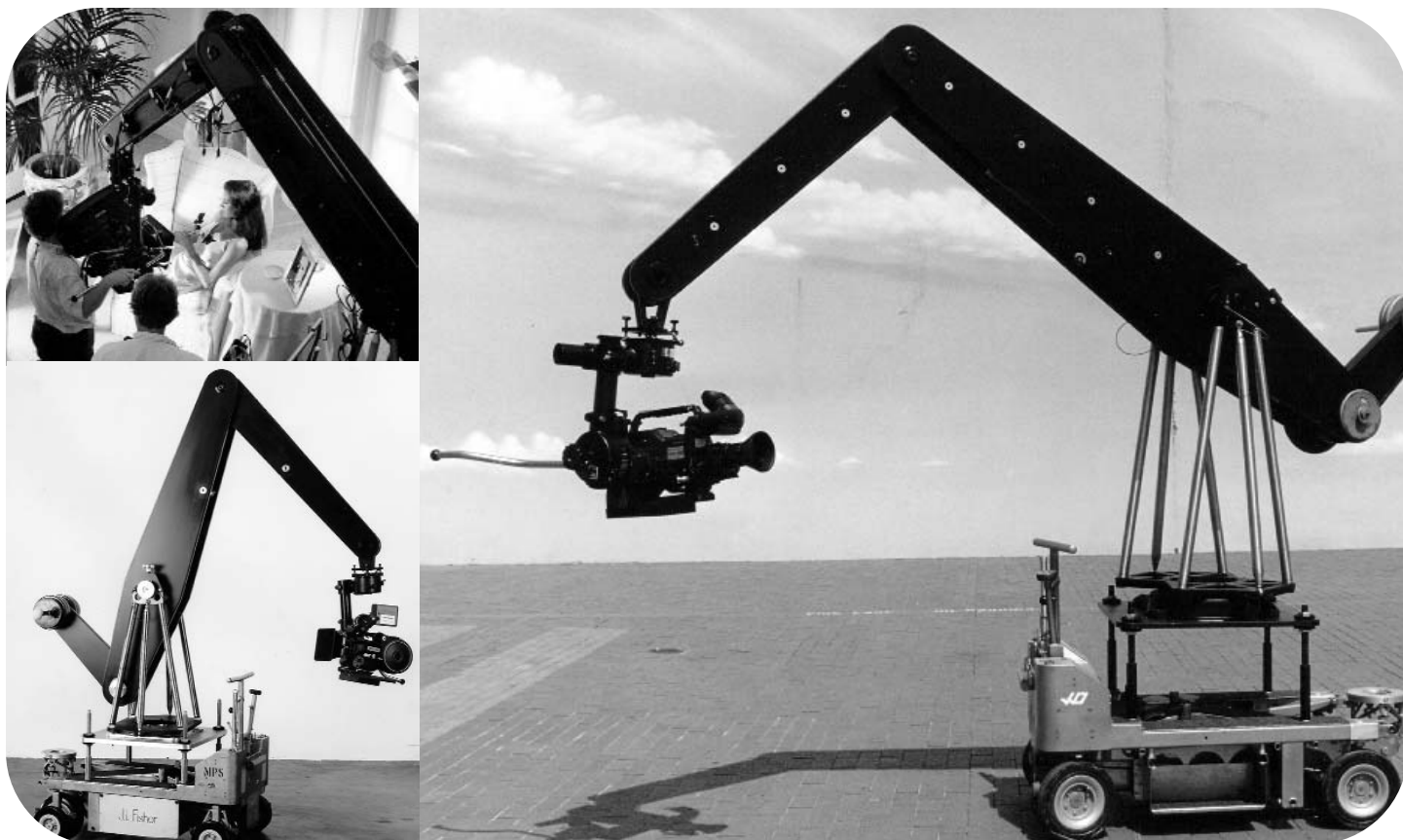


Zero Gravity Arm



Fly Your Camera in All Directions

WEIGHTLESS

Z-Jib's unique design permits a weightless control of the camera. Suspended by a unique arm, the camera can go from below ground level to over 8 or 11 feet overhead. Fully extended, the arm can rotate in a 16' or 22' circle. Once the unit is set, many new positions can be achieved instantly.

FLUID REACH

The Z-Jib Arm allows 8' or 11' of reach from the base. Designed to support loads up to 130 lbs, the unit is ready to accept a camera package, as well as a standard fluid head or other pan and tilt devices. Innovision offers a Weaver-Steadman underslung fluid head for the ultimate in continuous fluid moves.

WAITLESS SETUP

The unit sets up from packed cases to full rigging, ready for your camera, in about 20 minutes. Innovision offers free setup training, or you can request a setup technician. The unit comes packed in 2 cases weighing 300 lbs each, plus a weight cart that weighs 400 lbs

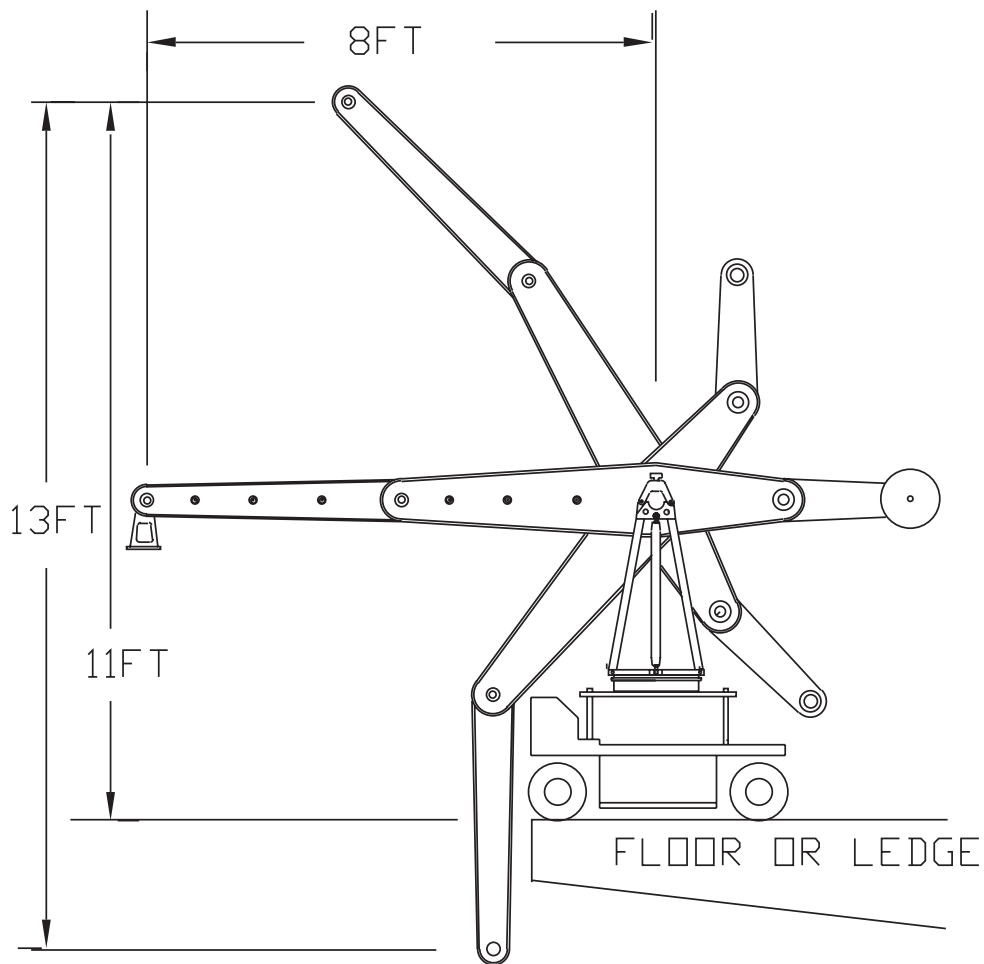
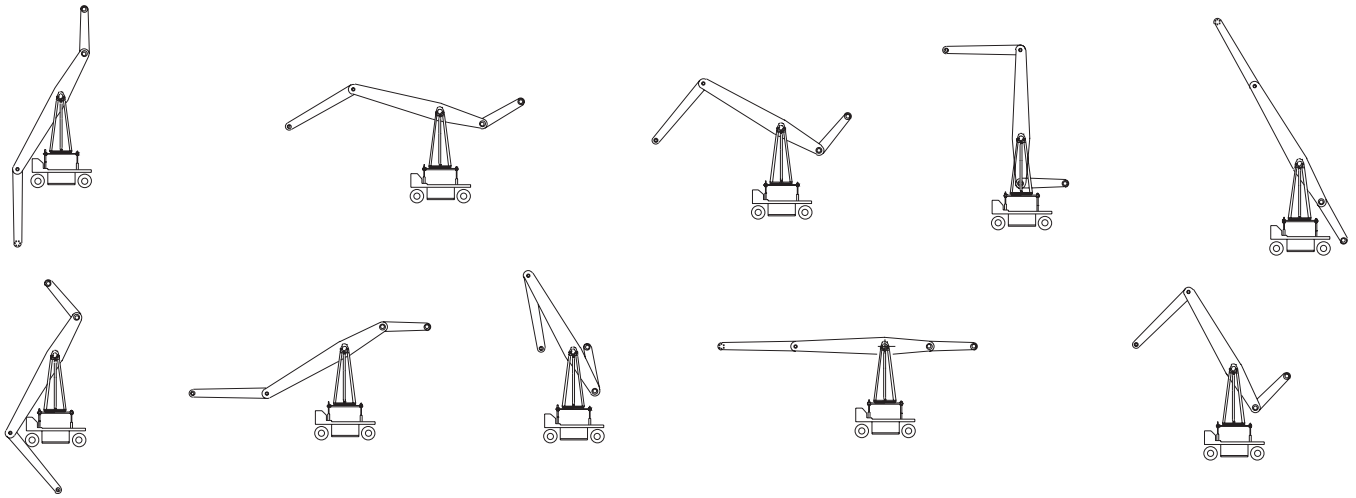
NOTES

- * Designed for popular dollies including Fisher 10, Chapman Hybrid, Chapman Hy-Hy.
- * Works with Weaver-Steadman fluid heads.
- * No technician required. Free Assembly training.
- * Requires 20' of battery and camera cabling to reach from your camera base to the yoke.

innovision[®]
OPTICS

1719 21st Street Santa Monica
California 90404 USA
Telephone: 310-453-4866
www.innovisionoptics.com

Zero Gravity Arm



innovision[®]
OPTICS

1719 21st Street Santa Monica
California 90404 USA
Telephone: 310-453-4866
www.innovisionoptics.com