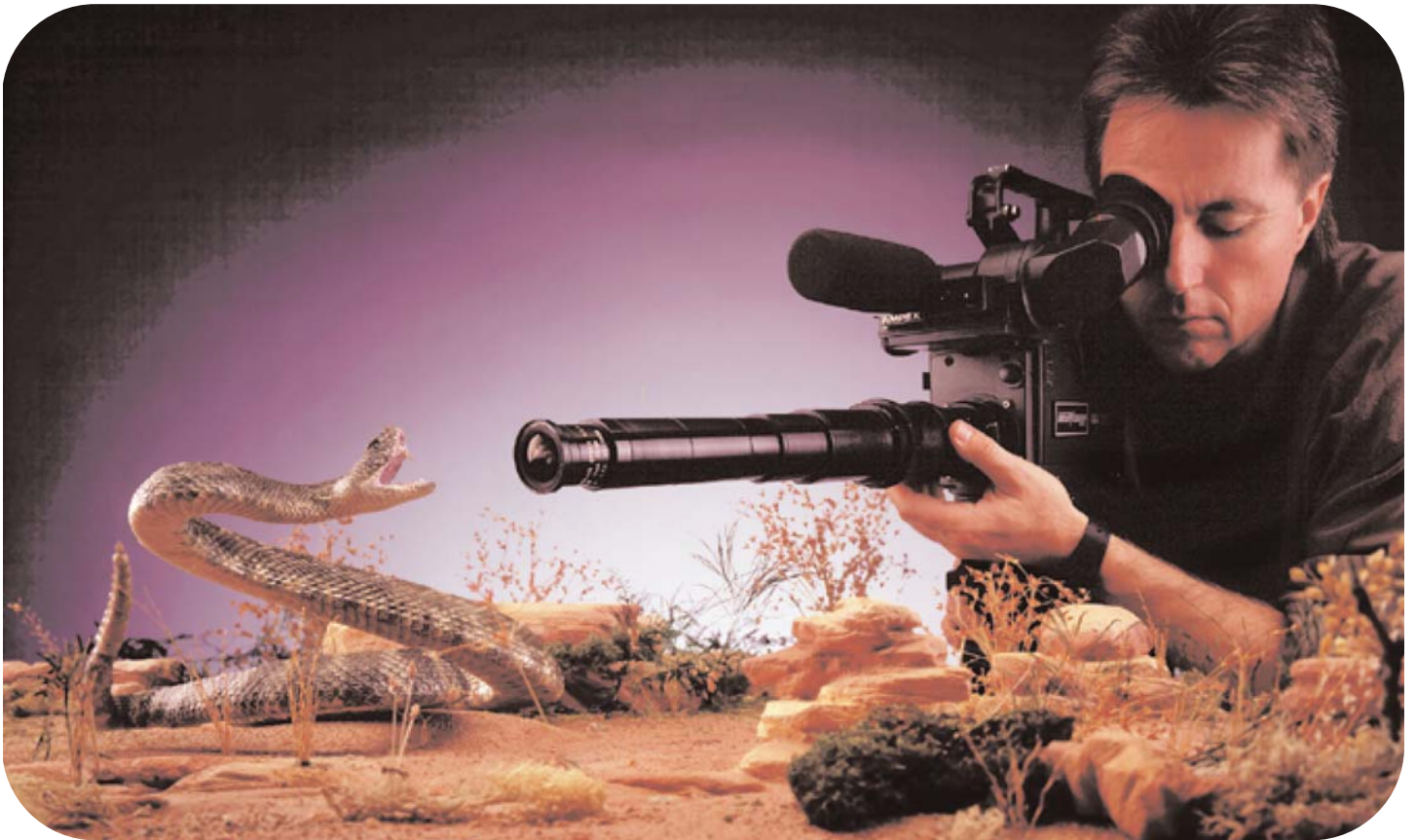


# 35mm Probe II Plus



## Tubular Lens System for Superior Quality 35mm Film Work.

Innovision Optics has been providing tubular optics to the video and film industry since 1987. The initial lenses were developed from endoscopic technology and included fiber optics to light the way. Innovision pioneered the original Probe Lens which brought a new dimension to tabletop shooting. The Probe II offered higher resolution and faster speed than Probe I.

Now, Innovision introduces the Probe II Plus, manufactured by Century Precision Optics, and developed especially for shooters whose projects require the highest resolution images.

The Probe II Plus's barrel lets the camera roam over, under, around or even through objects, unleashing a novel range of tabletop shooting possibilities. Probe II Plus offers direct view and 90 degree viewing options.

The Probe II Plus features high resolution glass elements and relay optics for images with remarkable edge-to-edge sharpness, and extreme depth of field. State-of-the-art multiple coatings provide sharp low dispersion images.

The Probe II Plus comes in 35mm film and Video/16mm versions.

Probe II Plus lenses come with a set of five interchangeable front objectives. The Probe II Plus for 35mm film work, rated at T6.3, provides focal lengths ranging from 9-40mm. Probe II Plus lenses are waterproof.

Interchangeable lens mounts offer simple adaptation to most professional cameras. 35mm lenses accept 40.5mm filters. For hands-off focus, Innovision offers an optional remote follow focus.

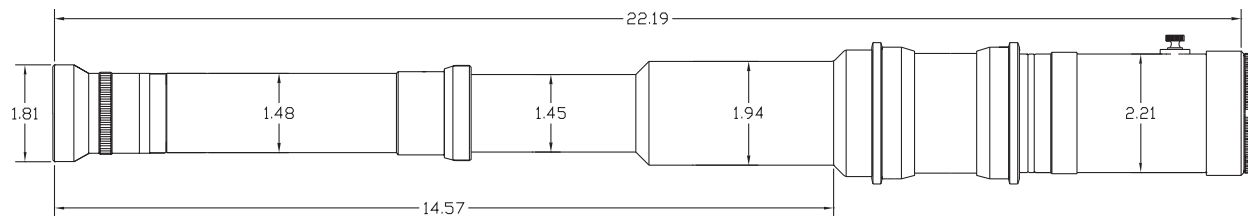
**innovision**<sup>®</sup>  
**OPTICS**

1719 21st Street Santa Monica  
California 90404 USA  
Telephone: 310-453-4866  
[www.innovisionoptics.com](http://www.innovisionoptics.com)

# 35mm Probe II Plus

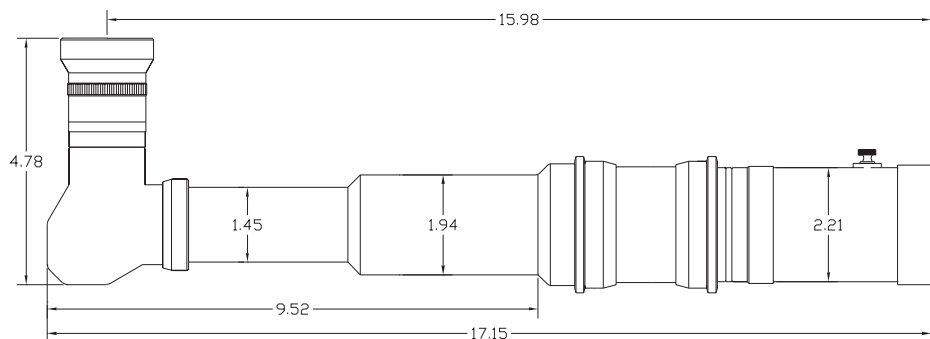
## 35mm Probe II Plus System Specs

Speed:	T6.3-T32
Barrel Diameter:	1.7"(43mm)
Objective Lenses:	9mm, 12mm, 16mm, 20mm, 32mm and 40mm
Focusing Ring:	72 teeth, 0.8 module
Optional Accessories:	Remote focus control, lens mounts, shipping cases



## 35mm Probe II Plus in Direct View

Weight:	5.1lbs (2.3kg)
Length:	22" (56cm)
Waterproof to:	14" (36cm)Deep



## 35mm Probe II Plus in 90 Degree View

Weight:	5lbs (2.2kg)
Length:	17" (43cm)
Waterproof to:	9" (23cm)Deep

**innovision**<sup>®</sup>  
OPTICS

1719 21st Street Santa Monica  
California 90404 USA  
Telephone: 310-453-4866  
[www.innovisionoptics.com](http://www.innovisionoptics.com)